

Large Flange Head Nutsert

Body Type: Full Hex Closed

Outside Body: Smooth

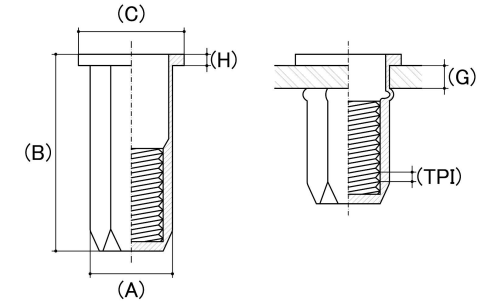
Thread Type: Metric - Coarse

Body Material: Low Carbon Steel

Class Grade: Low Tensile Class 4.6

Finish: Zinc Plated

Corrosion Protection Level: Moderate



*CAD drawings shown for graphic representation only.**

Size	Thread Pitch (mm)	Thread Type	Material Grip Range (G) (mm)		Overall Nut Height (B) (mm)	Head Diameter (C) (mm)	Nut Width (A) (mm)	Flange Thickness (H) (mm)	Hex Hole (AF) (mm)	Recommended Hole Size (mm)	Pull Out (KN)	Push Out (KN)	Torque To Turn (NM)	sku (qfind)
			Min	Max	Nom	Nom	Nom	Nom	Nom	Nom	Nom	Nom	Nom	
M6	1.00	Coarse	0.50	3.00	23.00	13.00	8.90	1.50	9.00	9.00	14	5	14	43LFFHCE6SM
M8	1.25	Coarse	0.70	3.00	26.00	16.00	10.90	1.50	11.00	11.00	20	6	39	43LFFHCE8SM

Disclaimer:

Dimensional data and technical information was obtained from publically available sources and not acquired through standard agencies. It has been completed and compiled for reference purposes only; where discrepancies are found they are subject to change without notice. Bolt & Nut Australia makes no warranties or representations regarding the accuracy and validity of the compiled information and data. Contact the relevant standard authorities for accurate and detailed information.

* CAD drawings may not reflect diameter, thread length or overall length.

© Bolt & Nut Australia Pty Ltd. All rights reserved.

Version: 18 Mar 2024